


VEHICLE TYPE

NLR85L (ED6AYG-HD6AYG) / NNR85L (FD5AYG-HD5AYG) / NPR75L (HL5VAYGN-KL5VAYGN-KL5VAYG)/NPR 66-71-75-77 ISUZU / NKR 250 / NPR 250 / NKR 66 E2L / HINO 300 SERI 4X2 / NQR 70 P / ELF NKR71/ELF 130 / NPR 66L / NQR71PL / NPR85L / 4.3 NPR 70 / NKR66E / NPR66P / NQR71R / NPR 66 LL / HINO DUTRO/NQR71PL / NPR 75 LONG / NLR / NLR LONG / NNR / NNR LONG / NPR 75 / N 10 / NPR 8 / NPR 8 LONG

TRANSMISSION TYPE

MYY5T / MOY-9F / MOY-9H / MOYCR / MYY-6S / MOYMB / MOYNA / MYY-5S / MYY-6P / MYY-5A / MOYGX/MOY4N / MOYNB / MOYNC / MYY5R / MYY5D / MOYPN / MOYUK / MOYMC / MOYMR / MOYPZ (5,315-5,979)

Kozmaksan Isuzu Power Take OFFs designed for Isuzu trucks. Kozmaksan Isuzu PTOs has Single output model, Side Mounting type option and available for UNI&ISO mounting housing or suitable for flange connections.

Applications;

- Garbage Truck
- Crane Truck
- Dump Truck

Vehicle Type

ISUZU

PNEUMATIC

SIDE MOUNTING

Transmission Type

MYY5T / MOY-9F / MOY-9H / MOYCR / MYY-6S / MOYMB / MOYNA / MYY-5S / MYY-6P /
MYY-5A / MOYGX/MOY4N / MOYNB / MOYNC / MYY5R / MYY5D / MOYPN / MOYUK /
MOYMC / MOYMR / MOYPZ (5,315-5,979)

ISZ.06.MYY6S.H

Product Code

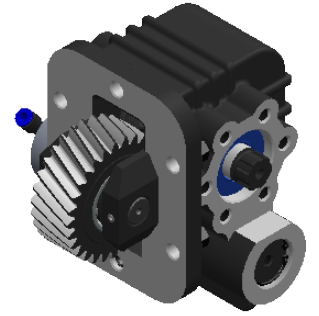
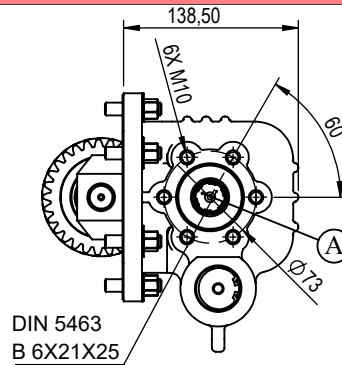
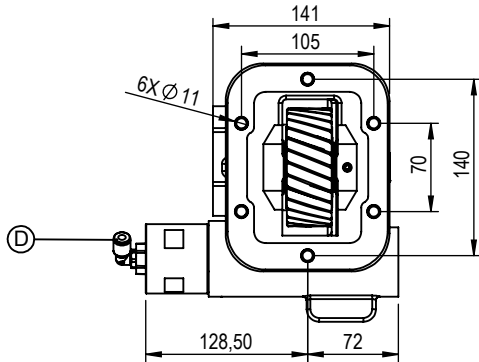
02

15/02/2019

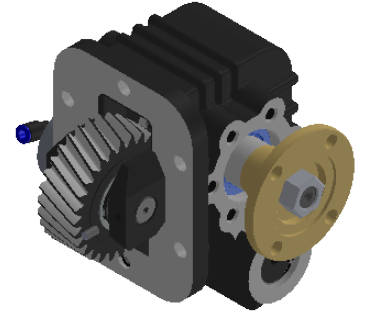
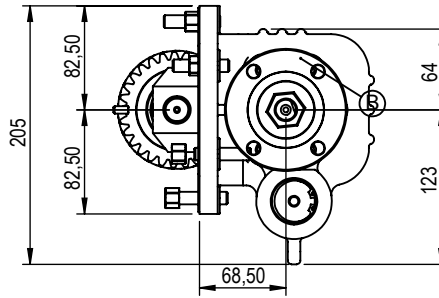
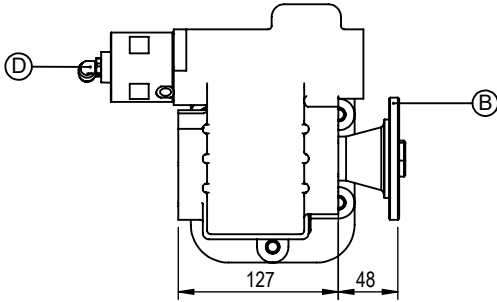
02

Rev. Date

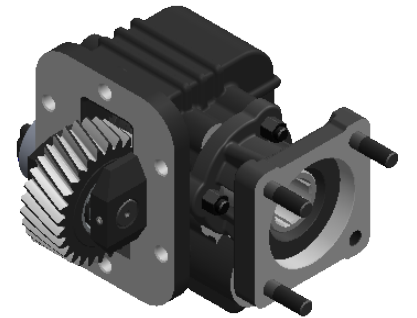
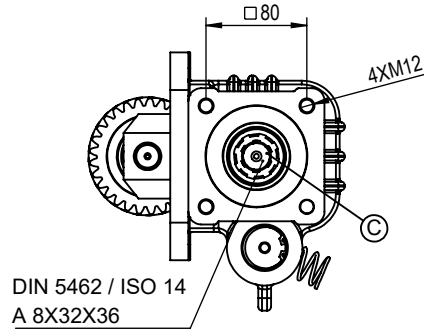
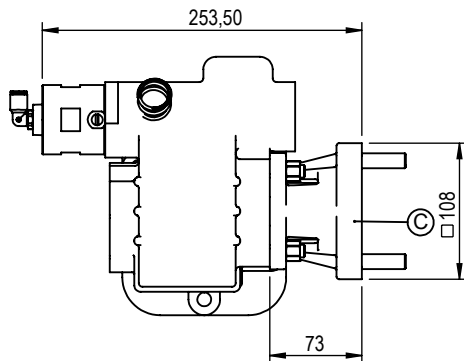
UNI OUTPUT



FLANGE OUTPUT



ISO OUTPUT



A DIN 5463 6X21X25 UNI 3 Bolts Output

B ISO 7647-7646 Standard Flange Output

C ISO 14 - DIN 5462 8X32X36 Output

D Air Inlet R 1/8"

	UNI Output	FLANGE Output	ISO Output
Power(kW)@1000 RPM	23	36,7	23
Max. Torque (Nm)	220	350	220
Weight (Kg)	13	14	15
Ratio	1/1.03		
Mounting Type	Left Side Mounting		
Sense of Rotation	CW		

- Kozmaksan has all rights to change information in this catalogue without announcing it. This document is representing general information. It is not a contract.
- All information belongs to only PTO/Split Shaft. Do not use PTO/Split Shaft, if it is not suitable for your engine and main transmission.
- Pumps, shafts and other parts should not be longer or heavier than approved distance and weight by the manufacturer of main transmission and engine.

KozmaksanPTO

kozmaksanpto

kozmaksan-hydraulics-pt

Vehicle Type

ISUZU

MECHANIC

SIDE MOUNTING

Transmission Type

MYY5T / MOY-9F / MOY-9H / MOYCR / MYY-6S / MOYMB / MOYNA / MYY-5S / MYY-6P /
MYY-5A / MOYGX/MOY4N / MOYNB / MOYNC / MYY5R / MYY5D / MOYPN / MOYUK /
MOYMC / MOYMR / MOYPZ (5,315-5,979)

ISZ.06.MYY6S.M

Product Code

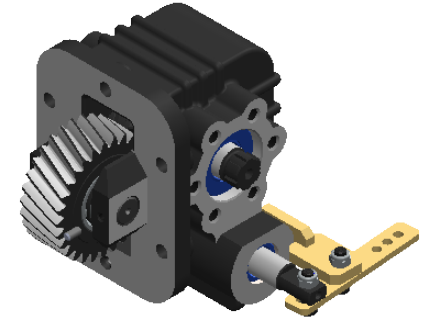
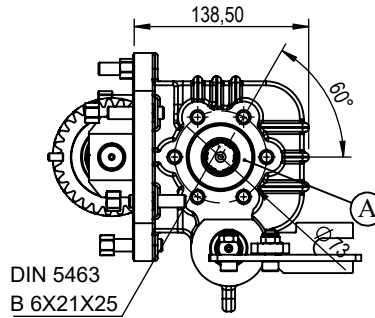
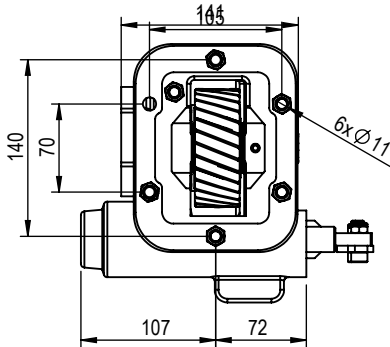
02

15/02/2019

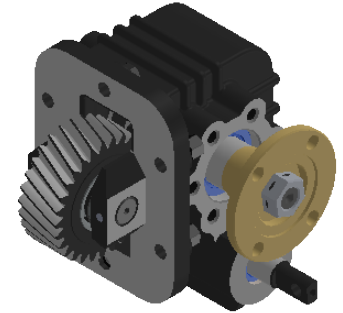
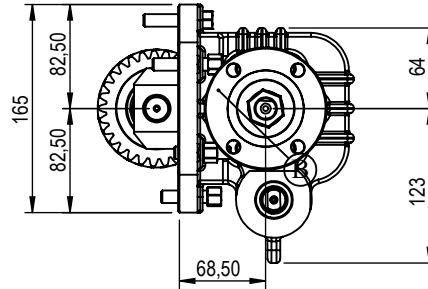
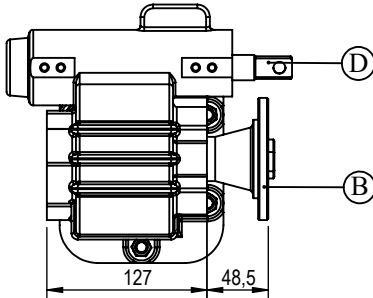
03

Rev. Date

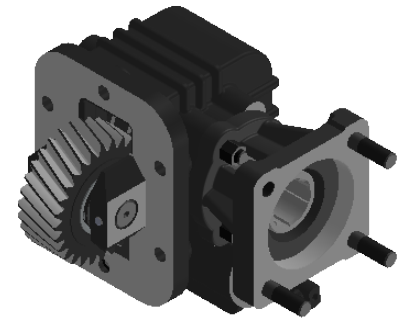
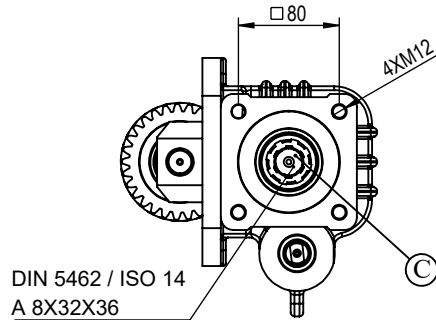
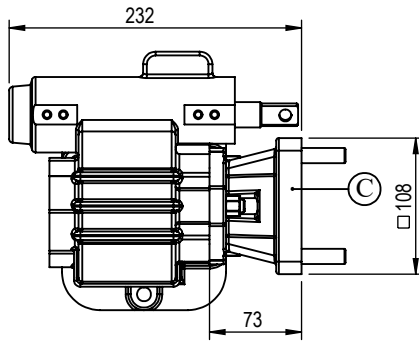
UNI OUTPUT



FLANGE OUTPUT



ISO OUTPUT

**A** DIN 5463 6X21X25 UNI 3 Bolts Output**B** ISO 7647-7646 Standard Flange Output**C** ISO 14 - DIN 5462 8X32X36 Output**D** Mechanic System

	UNI Output	FLANGE Output	ISO Output
Power(kW)@1000 RPM	23	36,7	23
Max. Torque (Nm)	220	350	220
Weight (Kg)	13	14	15
Ratio	1/1.03		
Mounting Type	Left Side Mounting		
Sense of Rotation	CW		

- Kozmaksan has all rights to change information in this catalogue without announcing it. This document is representing general information. It is not a contract.
- All information belongs to only PTO/Split Shaft. Do not use PTO/Split Shaft, if it is not suitable for your engine and main transmission.
- Pumps, shafts and other parts should not be longer or heavier than approved distance and weight by the manufacturer of main transmission and engine.

KozmaksanPTO

kozmaksanpto

kozmaksan-hydraulics-pt

Vehicle Type

ISUZU

VACUUM CONTROL

SIDE MOUNTING

Transmission Type

MY5T / MOY-9F / MOY-9H / MOYCR / MYY-6S / MOYMB / MOYNA / MYY-5S / MYY-6P /
 MYY-5A / MOYGX/MOY4N / MOYNB / MOYNC / MYY5R / MYY5D / MOYPN / MOYUK /
 MOYMC / MOYMR / MOYPZ (5,315-5,979)

ISZ.06.MYY6S.V

Product Code

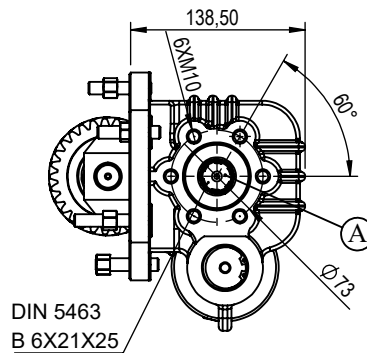
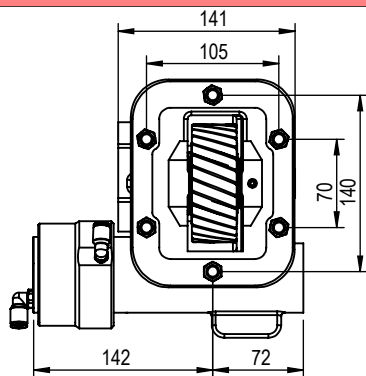
02

15/02/2019

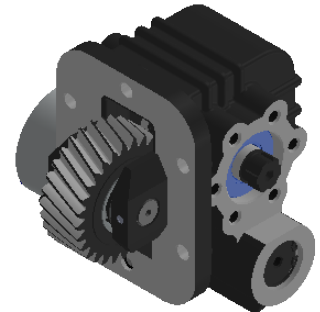
04

Rev. Date

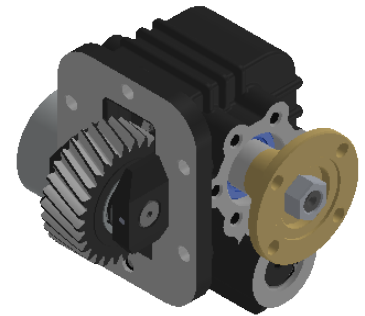
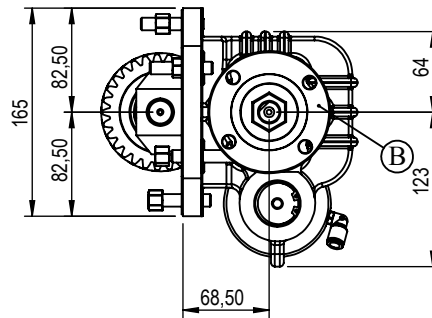
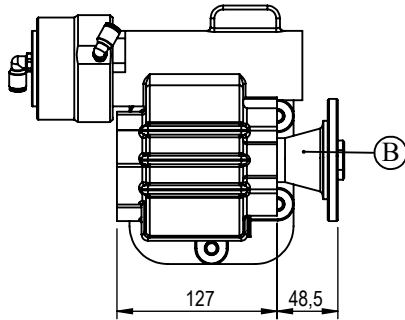
UNI OUTPUT



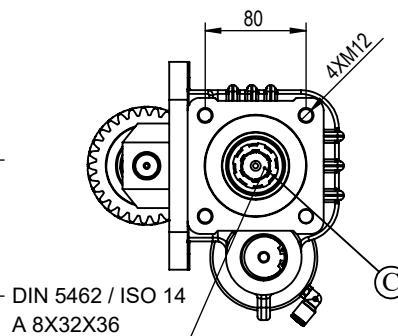
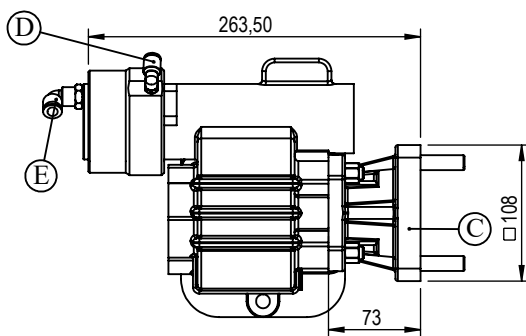
DIN 5463
 B 6X21X25



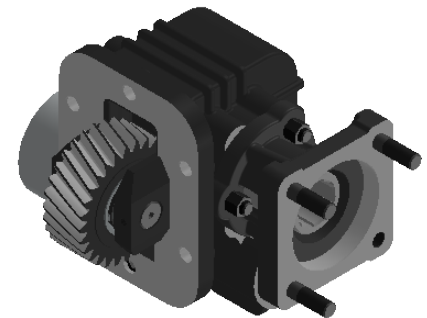
FLANGE OUTPUT



ISO OUTPUT



DIN 5462 / ISO 14
 A 8X32X36



A DIN 5463 6X21X25 UNI 3 Bolts Output

B ISO 7647-7646 Standard Flange Output

C ISO 14 - DIN 5462 8X32X36 Output

D Vacuum Inlet R 1/8"

E Vacuum Inlet R 1/8" (Opt.)

	UNI Output	FLANGE Output	ISO Output
Power(kW)@1000 RPM	23	36,7	23
Max. Torque (Nm)	220	350	220
Weight (Kg)	13	14	15
Ratio	1/1.03		
Mounting Type	Left Side Mounting		
Sense of Rotation	CW		

- Kozmaksan has all rights to change information in this catalogue without announcing it. This document is representing general information. It is not a contract.
 - All information belongs to only PTO/Split Shaft. Do not use PTO/Split Shaft, if it is not suitable for your engine and main transmission.
 - Pumps, shafts and other parts should not be longer or heavier than approved distance and weight by the manufacturer of main transmission and engine.

KozmaksanPTO

kozmaksanpto

kozmaksan-hydraulics-pt0

KOZANOĞLU
KOZMAKSAN

1.OSB. Erkunt Cad. No: 6 Sincan / ANKARA
 Tel.+90 312 267 39 71-Fax +90 312 267 38 72
 order@kozmaksan.com.tr
 www.kozmaksan.com.tr



FRM.123 / REV.05

ISZ.06.MYY6S

Product Code

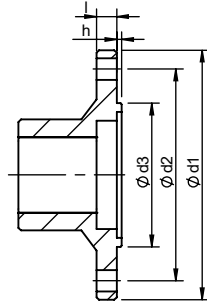
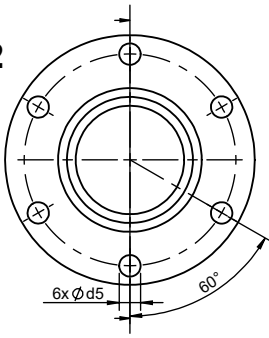
01

15.02.2019

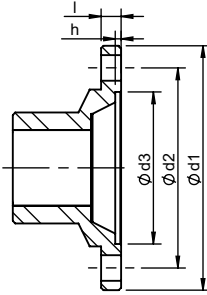
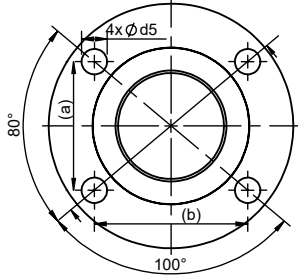
5/5

Rev. Date

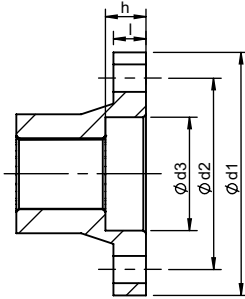
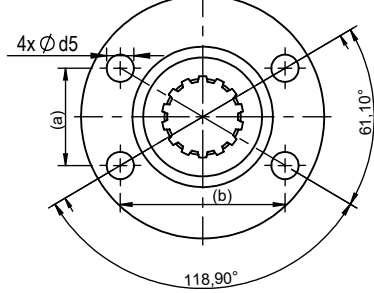
1.1
1.2



1.3



1.4



	Ø d1	Ø d2	Ø d3	Ø d5	l	h	Hole	(a) x (b)
1.1	100	84	57	8,1	8	2,3	6	-
1.2	90	74,5	47	8,1	8	2,3	6	-
1.3	97	79,37	60,32	10,1	8	2,3	4	51 x 60,8
1.4	90	70,83	42	10,1	12	9	4	36 x 61

All dimensions are mm.

(PTO Mounting Parts)

5



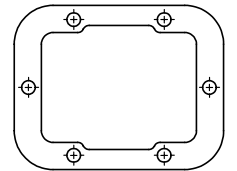
6 pcs

6



6 pcs

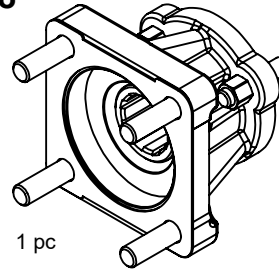
7



1 pc

ISO Adapter

8



1 pc

UNI Pump Mounting Parts

5



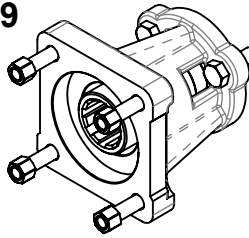
3 pcs

6

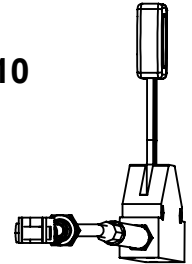


3 pcs

9



10



No	Code	Description	No	Code	Description
1.1	C06-083-2	ISO 7646-100x6x8 Flange	9	AKP.PP.1	ISO Adapter
1.2	C06-083-3	ISO 7646-90x6x8 Flange	10	KTP50-55.3500	3,5 mt Control Cable and Lever
1.3	C06-083-1	ISO 7647-SAE 1300x4x10 Flange			
1.4	C06-185	Ø90 Flange			
5	T07-004	M10x1,5x45 mm Stud			
6	T08-001	M10x1,5 Nut			
7	T04-019	Gasket			
8	AKP.PP.2.52	ISO Adapter			

- Kozmaksan has all rights to change information in this catalogue without announcing it. This document is representing general information. It is not a contract.
- All information belongs to only PTO/Split Shaft. Do not use PTO/Split Shaft, if it is not suitable for your engine and main transmission.
- Pumps, shafts and other parts should not be longer or heavier than approved distance and weight by the manufacturer of main transmission and engine.

KozmaksanPTO

kozmaksanpto

kozmaksan-hydraulics-pt