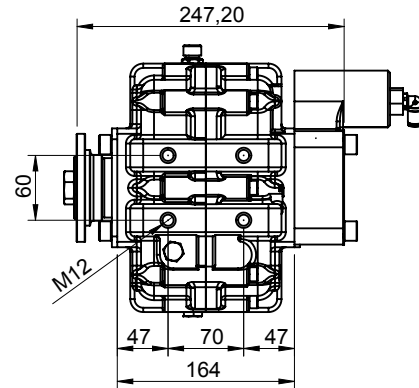
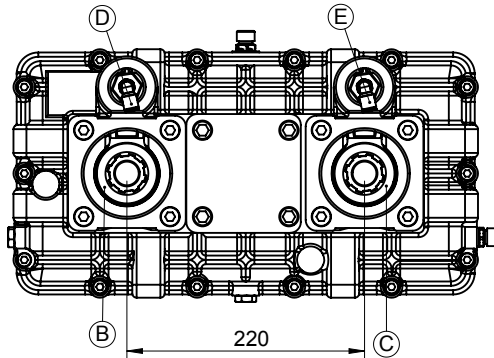
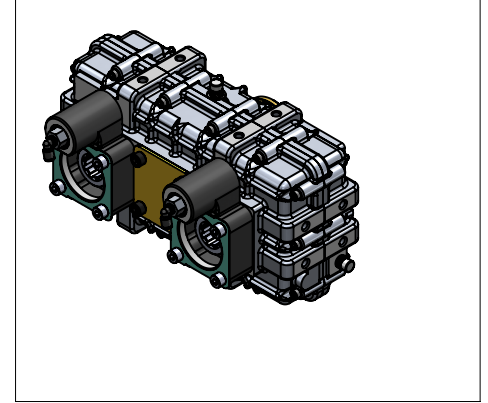
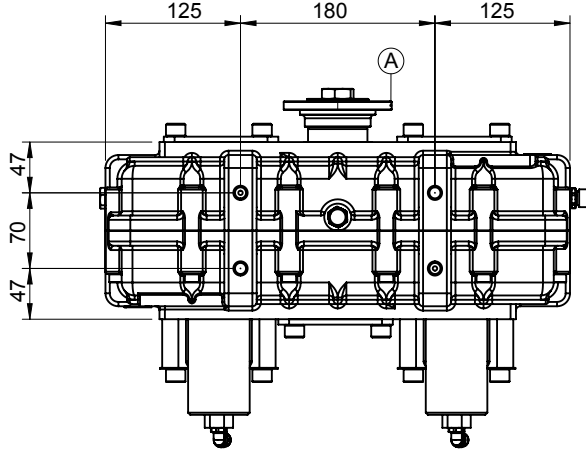


Application Type	Horizontal or Vertical Usage
Gearbox Type	3 Axis RPM Increaser/Decreaser

Product Code	KRD.30.ISO
Revision No- Date	01 / 14.04.2016



Products Views



Component Details

- A : Input Flange (ISO 7647 - ISO 7646 - Standard Flange)
- B : 1 St. Output ISO 7653 , Spline ISO 14 32x36x8
- C : 2 St. Output ISO 7653 , Spline ISO 14 32x36x8
- D : Engage the 1st. output (For disengage stop the air force)
- E : Engage the 2st. output (For disengage stop the air force)

Technical Details

Outputs	Max. Power	Max. Torque		Input/Output	Mounting Type	Control Type
	kW	Nm	kgm			
A		1421	145		Split Shaft	Pneumatic
B	50	477	48,6			
C	50	477	48,6	1/0,64 1/1,02	Weight	Sense of Rotation
				1/0,76 1/1,09		
				1/0,91 1/1,30	42 kg	Opposite of Input
				1/1,55		