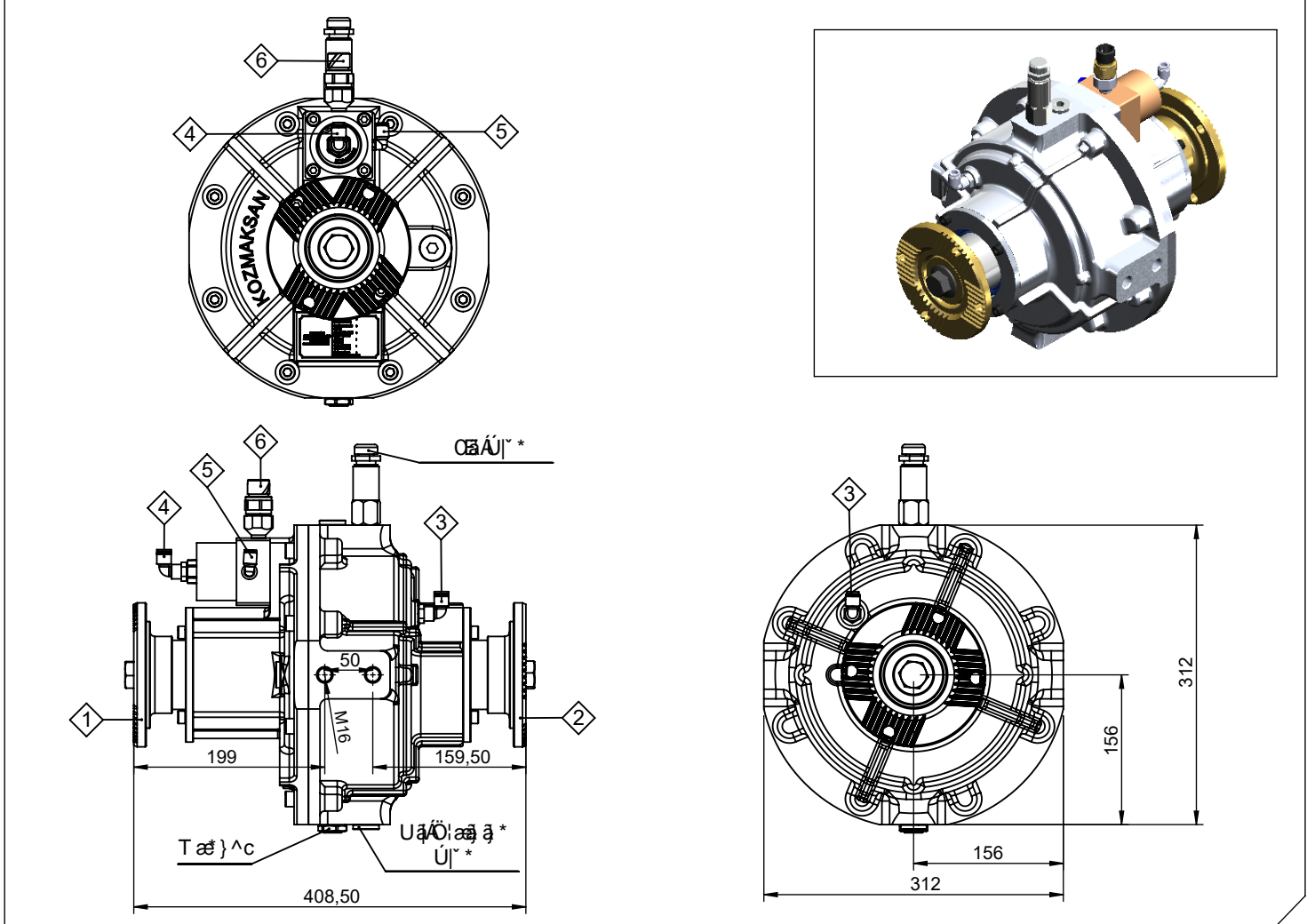


Vehicle Type	W P Q O U U O S
Gearbox Type	CLUTCH PTO

Product Code	KRD.36.SKR.D
	00 - 02.05.2018



Products View



Options

- 1 : ISO 7647 - ISO 7646- ISO 8667 Standartı a O a * ^
- 2 : ISO 7647 - ISO 7646- ISO 8667 U a a a a O a * ^ A
- 3 : O a O } ^ c- First Engage Step
- 4 : Air Inlet - Second Engage Step
- 5 : Air Inlet - Disengage
- 6 : Engage/Disengage Sensor (Opt.)

Technical Data

Outputs	Max. Torque	Maximum Torque	Ratio	Mounting Side	Control Type
1 & 2	800 Kgm	-	1/1	SPLIT SHAFT	PNEUMATIC
				Weight (Kg)	Rotation Sense
				42 KG / 92 LBS	COUNTERCLOCKWISE(CCW)

Ofis
 Tel. +90 312 354 05 39
 Fax +90 312 354 34 59
 7. Sokak No: 9
 Ostim / ANKARA
 e-mail: info@kozmaksan.com.tr

Fabrika
 Tel. +90 312 267 39 71
 Fax +90 312 267 38 72
 AOS. 1. OSB. Erkunt Cad. No: 6A
 Sincan / ANKARA
 Website: www.kozmaksan.com.tr