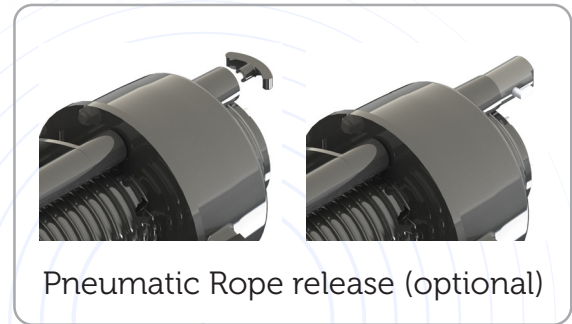
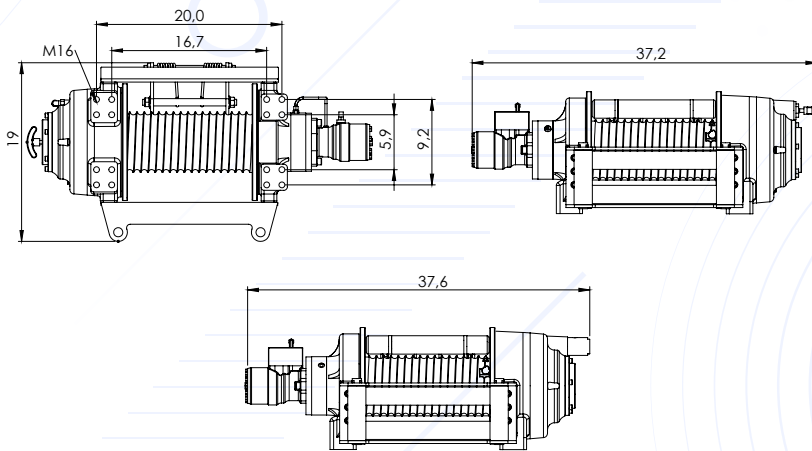
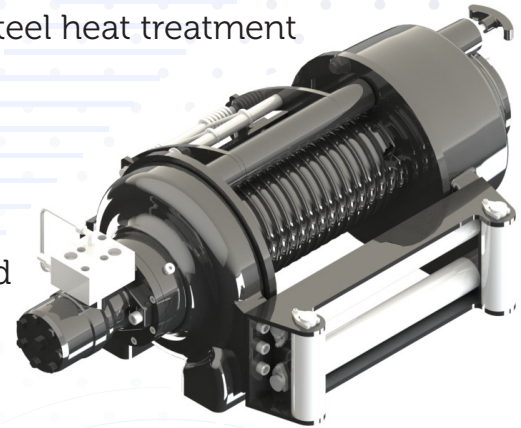


- ▶ High-strength, long-lasting steel body
- ▶ Extra reinforced planetary gear system with special steel heat treatment
- ▶ Lightweight and powerful design
- ▶ 100% negative effective hydraulic disc brake system
- ▶ Standard winch guide system and rope stabiliser
- ▶ Manual winch discharge system provided as standard
- ▶ High torque hydromotor



Rope Winding Count	Pulling Capacity lbs	Winding Speed m-min/(ft-min)	Rope Length m/ft
1	33000	5/16	7,5/24
2	27844	5,6/18	17/55
3	23682	6,2/20	28/91
4	20593	6,8/22	42/137

Maximum Pulling Force (kg/lbs)	: 33000 lbs
Maximum Rope Diameter (mm/in)	: 18mm (8/11'')
Maximum Rope Length (m/ft)	: 42 m (137 ft)
Hydromotor (cc/in ³)	: 160 cc (10 in ³)
Maximum Pump Flow (L/min-g min)	: 60L (15.8 gal)
Gear Ratio	: 36/1
Maximum Operating Pressure (bar/psi)	: 165 bar (2393 psi)
Recommended Gear Oil Product	: 80 w 90 - 2 L
Weight	: 195 kg (429 lbs)