

VEHICLE TYPE

MERCEDES AXOR-ACTROSS

TRANSMISSION TYPE

G 240,260 - 16 / (17,03-11,7) EPS
(Daimler Chrysler AG)
G 131 - 9 / 16,02 EPS (IdNr: 715570 Code: NC5) / G 141-9
G 231-241 - G 281 - G 330-12 (11,63)

Kozmaksan Mercedes Power Take OFFs designed for Mercedes main transmissions. Kozmaksan Mercedes PTOs has Single&Double output models, Rear Mounting type option and available for UNI&ISO mounting housing or suitable for flange connections.

Applications;

- Garbage Truck
- Crane Truck
- Dump Truck

Vehicle Type **MERCEDES** PNEUMATIC REAR MOUNTING

Transmission Type G210/G211/G240/G260-16(17.03-11.9.75)G221-9(16.02)G131-9

MB.9

Product Code

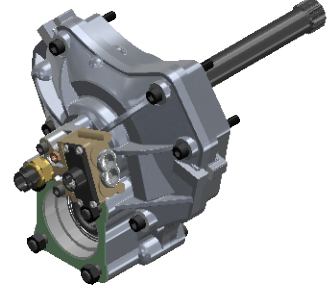
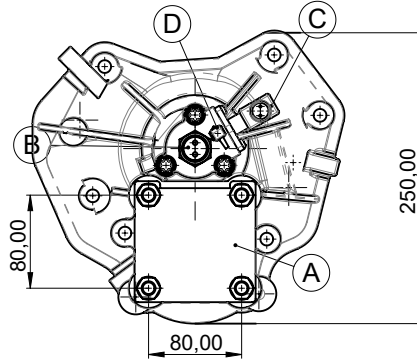
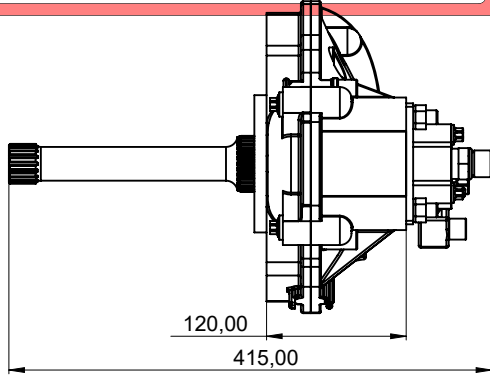
01

22/12/2018

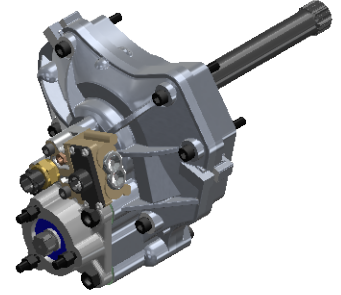
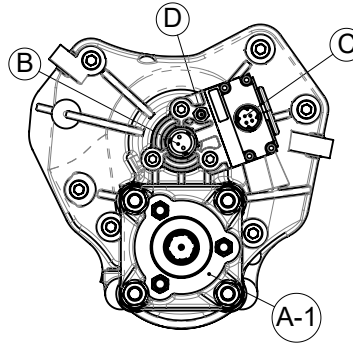
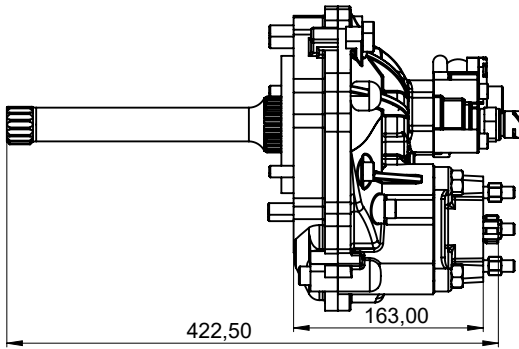
01

Rev. Date

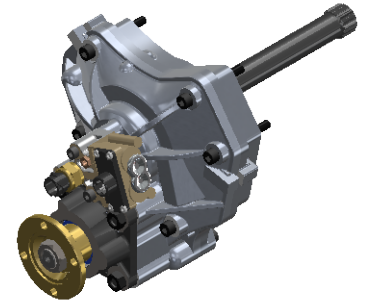
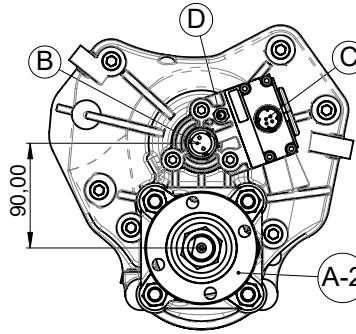
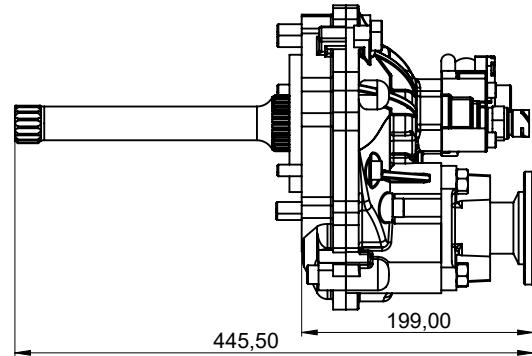
UNI OUTPUT



FLANGE OUTPUT



ISO OUTPUT



A DIN 5462 / 32x36x8 / ISO 14 4 Bolts Output

B Electronic Sensor

C Air Pressure Valve

D Air Inlet

A-1 DIN 5463 / 6x21x25 / UNI 3 Bolts Output

A-2 ISO 7647-7646 Standard Flange

	UNI Output	FLANGE Output	ISO Output
Power(kW)@1000 RPM	42	-	-
Max. Torque (Nm)	400 Nm-40Kgm	-	-
Weight (Kg)	12,5	-	-
Ratio	1/1.03		
Mounting Type	Rear Mounting		
Sense of Rotation	CCW		

- Kozmaksan has all rights to change information in this catalogue without announcing it. This document is representing general information. It is not a contract.
 - All information belongs to only PTO/Split Shaft. Do not use PTO/Split Shaft, if it is not suitable for your engine and main transmission.
 - Pumps, shafts and other parts should not be longer or heavier than approved distance and weight by the manufacturer of main transmission and engine.

KozmaksanPTO

kozmaksanpto

kozmaksan-hydraulics-pt

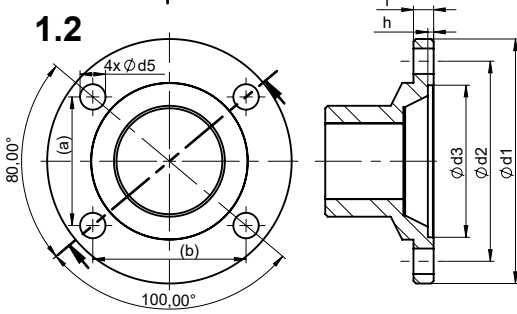
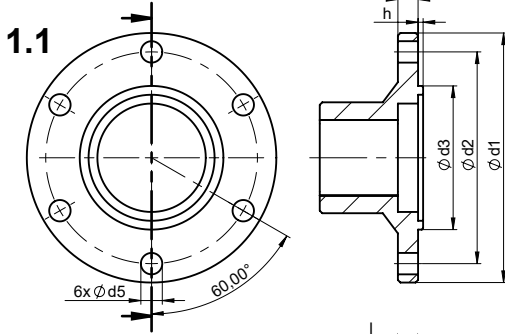
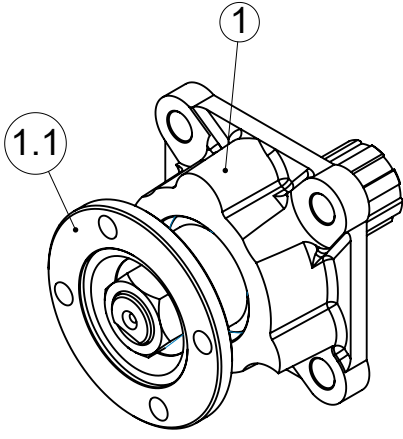
MB.9

Ürün Kodu

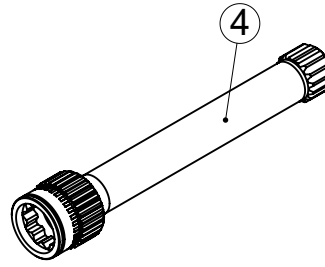
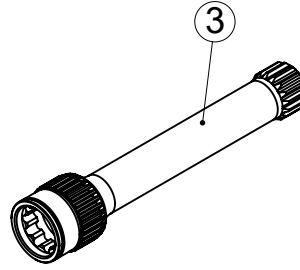
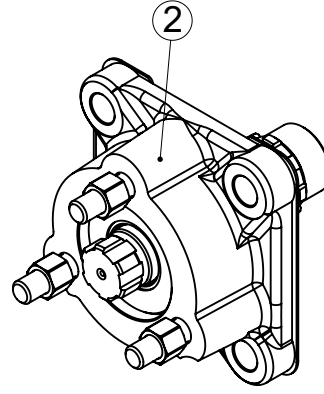
01

22/12/2018

01

Rev.Nu-Tarih
-Sayfa Nu.

	$\varnothing d1$	$\varnothing d2$	$\varnothing d3$	$\varnothing d5$	l	h	Hole
1.1	100	84	57	8,1	8	2,3	6
1.2	97	79,37	60,32	10,1	8	2,3	4
1.3	87	69,85	57,10	8,1	2	2	4



No	Code	Description			
1	KIT.55.02.UF	Flange Adapter			
1.1	C06-076	ISO 7646-100x6x8			
1.2	C06-045	ISO 7647-SAE 1300x4x10			
1.3	C06-082	ISO 7647-SAE 1100x4x8			
2	KIT.52.02.KF	UNI Adapter			
3	KML-9472640005K-2	PTO Shaft 239 mm (without retarder)			
4	KML-9472640005U-2	PTO Shaft 263 mm (retarder)			
5					

- Kozmaksan has all rights to change information in this catalogue without announcing it. This document is representing general information. It is not a contract.
- All information belongs to only PTO/Split Shaft. Do not use PTO/Split Shaft, if it is not suitable for your engine and main transmission.
- Pumps, shafts and other parts should not be longer or heavier than approved distance and weight by the manufacturer of main transmission and engine.

KozmaksanPTO



kozmaksanpto



kozmaksan-hydraulics-pto

