

UARA.2002,2.H-M.1.6.I-ZF.1.II-ZF.1 OWNER'S INSTRUCTIONS



KOZANOĞLU
KOZMAKSAN
HYDRAULIC PUMPS & POWER TAKE-OFFS MANUFACTURING LIMITED CO.
HİDROLİK POMPA ve ARA ŞANZİMAN PTO İMALAT SAN.LTD.ŞTİ.

1. APPLICATIONS

Fire Truck

Road Maintenance Truck

2. DEFINITION

UARA.202,2.H-M.1.6.I-ZF.1.II-ZF.1 is a Split Shaft PTO which is designed with two different seperable output for Fire Fighting Truck.

UARA.202,2.H-M.1.6.I-ZF.1.II-ZF.1 can be engage no matter truck is moving or not, you can use it for both situation.

2.1 UARA.202,2.H-M.1.6.I-ZF.1.II-ZF.1 takes power from main shaft to make equipments work.

For input and output flanges;

ISO 8667, ISO 7646, ISO 7647 std.

are matched.

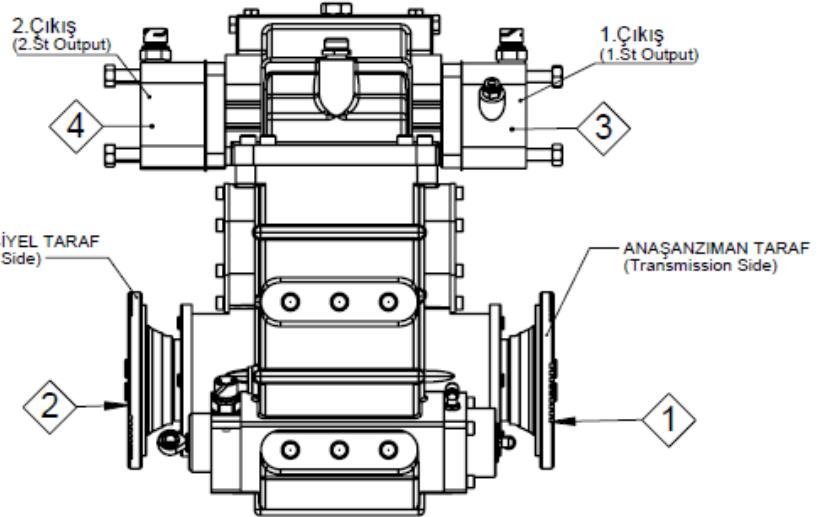
2.2 UARA.202,2.H-M.1.6.I-ZF.1.II-ZF.1 split shaft

has 2 outputs in its top

Axial.(1st. & 2nd. Outputs) ③+④

For top output flanges; pump output ISO 7653-

D(ISO 4 bolts) spline ISO 14



+



Merkez : 1175. (7) Sokak No:9 (06370) Ostim-ANKARA Tel: (+90312) 354 05 39 - pbx Fax:(+90312) 354 34 59
Fabrika : ASO 1.Org.San.Bölgesi Erkunt Cad. No: 6 Sincan - ANKARA Tel: (+90312) 267 39 71 (pbx)

UARA.2002,2.H-M.1.6.I-ZF.1.II-ZF.1 OWNER'S INSTRUCTIONS



**KOZANOĞLU
KOZMAKSAN**
HYDRAULIC PUMPS & POWER TAKE-OFFS MANUFACTURING LIMITED CO.
HİDROLİK POMPA ve ARA ŞANZİMAN PTO İMALAT SAN.LTD.ŞTİ.

2.3 UARA.202,2.H-M.1.6.I-ZF.1.II-ZF.1 Split Shaft PTO engage&disengage operation is made by synchromesh.

Synchromesh system is controlled by 6-8 air pressure .

2.4 UARA.202,2.H-M.1.6.I-ZF.1.II-ZF.1 split shaft requires **SAE 80 W EP 90** type oil or equivalent oil..

3. TECHNICAL DATA

This split shaft warrant below values in case it is used proper

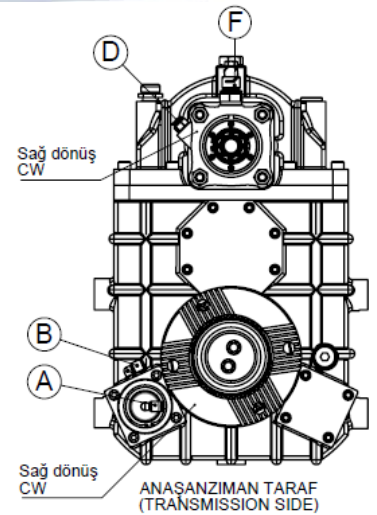
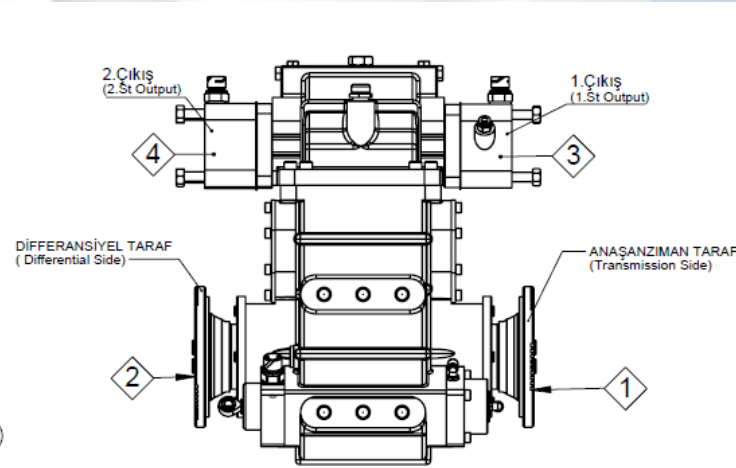
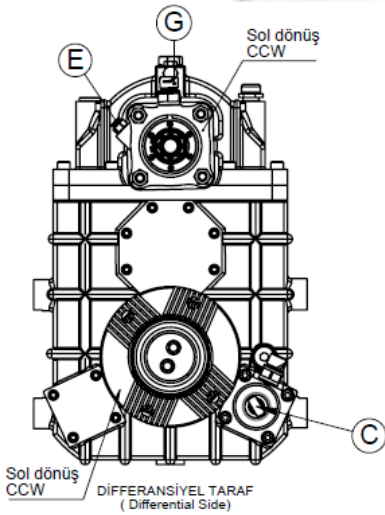
3.1. MAIN INPUT-OUTPUT &

Maximum Continues Torque	21010 (Nm)
Maximum Instant Torque	25210 (Nm)
Maximum Rotation	2400 – 3600

3.2. OUTPUT 3+4

Ratio	1/1 & 1/1,6 & 1/1,84 & 1/2,25
Torque	1766(Nm)
Power	(1000 RPM) 185 (Kw)

3.4. SENSE OF ROTATION



Merkez : 1175. (7) Sokak No:9 (06370) Ostim-ANKARA Tel: (+90312) 354 05 39 - pbx Fax: (+90312) 354 34 59
Fabrika : ASO 1.Org.San.Bölgesi Erkunt Cad. No: 6 Sincan - ANKARA Tel: (+90312) 267 39 71 (pbx)

UARA.2002,2.H-M.1.6.I-ZF.1.II-ZF.1 OWNER'S INSTRUCTIONS



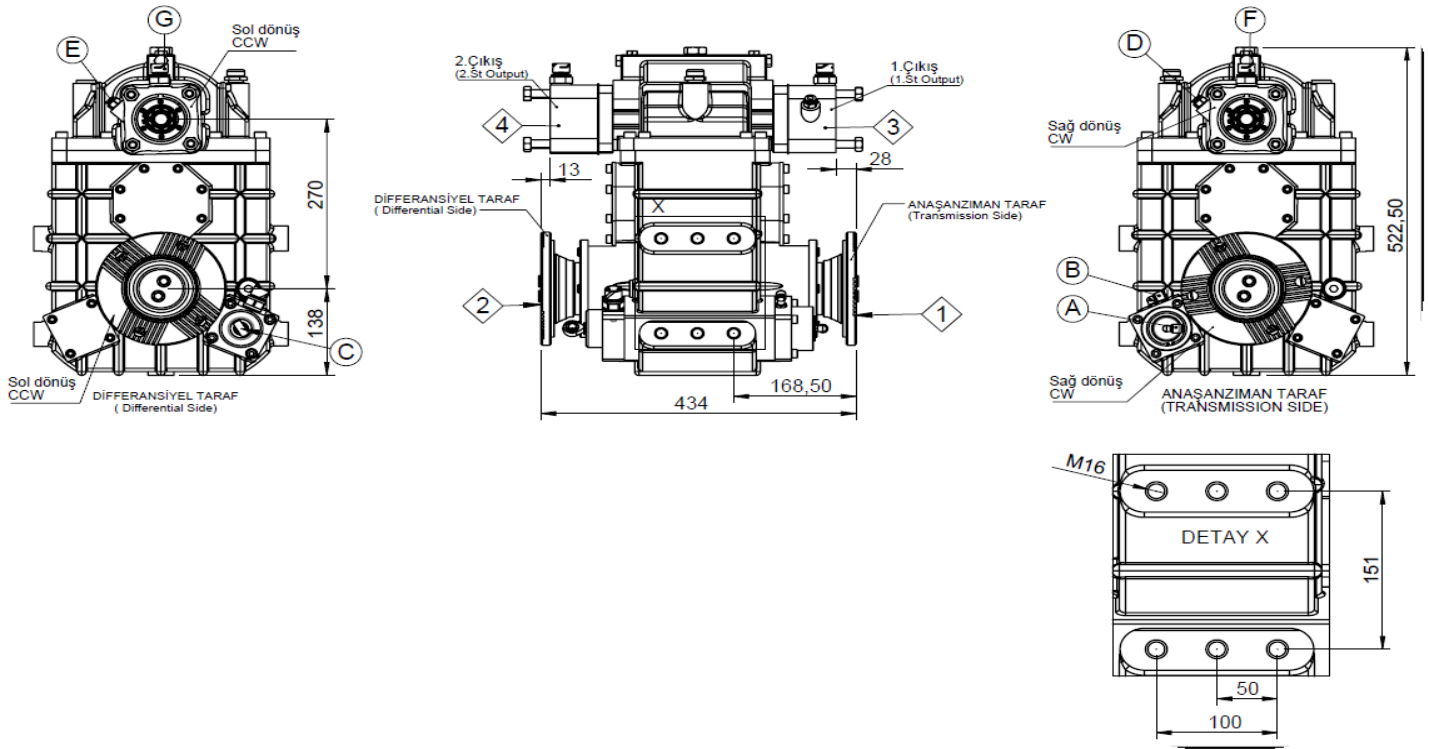
**KOZANOĞLU
KOZMAKSAN**
HYDRAULIC PUMPS & POWER TAKE-OFFS MANUFACTURING LIMITED CO.
HİDROLİK POMPA ve ARA ŞAĞIZIMAN PTO İMALAT SAN.LTD.ŞTİ.

4. ENGAGING & DISENGAGING

Generally, engaging-disengaging operation is made by the 6-8 bar double-action pneumatic cylinder. To keep engage or disengage stable there is safety catch system.

4.1 Main Drive ; \diamond & \diamond driven by (A) air inlet, Disengage by (B) air inlet

4. Top axial ; \diamond + \diamond After disengage the main shaft by (B) air inlet ; (D) air inlet engages the 1st. Output & (E) air inlet engages the 2nd. Output



6. SERVICE

OIL FILLING

The split shaft units are shipped as unooled!!!. Oil should be filled into the Split Shaft Pto by using the oil filling mechanism, before running the vehicle. The oil filling operation should be made on the ground. The required oil level is the top level shown on the indicator. The oil should be totally clean. You are required to use only the recommended oil. **(SAE 80 W 90 EP or equivalent oil)** In case of using any oil other than the recommended oil, the vehicle is out of warranty coverage.



Merkez : 1175. (7) Sokak No:9 (06370) Ostim-ANKARA Tel: (+90312) 354 05 39 - pbx Fax: (+90312) 354 34 59
Fabrika : ASO 1.Org.San.Bölgesi Erkunt Cad. No: 6 Sincan - ANKARA Tel: (+90312) 267 39 71 (pbx)

UARA.2002,2.H-M.1.6.I-ZF.1.II-ZF.1 OWNER'S INSTRUCTIONS



KOZANOĞLU
KOZMAKSAN
HYDRAULIC PUMPS & POWER TAKE-OFFS MANUFACTURING LIMITED CO.
HİDROLİK POMPA ve ARA ŞAĞIZIMANI PTO İMALAT SAN.LTD.ŞTİ.

7. MAINTENANCE

7.1 OIL LEVEL CONTROL

Maintenance should be made before and after long trips. Maintenance should be made at ground level and when the vehicle is not running. In case the oil level is less than required, oil should be added.

7.2 OIL REPLACEMENT

Make sure that old oil is totally drained and make sure that you are using recommended (correct) oil. In case of mixing old and new oil;

This situation is going to cause damage of components of gearbox (shaft, gear, bearing etc.)

7.3 OIL CHANGING

First oil changing should be made following 250 hours after the Split Shaft Unit has started to run. Oil changing should be made when the oil is cold.

Draining could be made by removing the drain plug. In order to accelerate the process, it is recommended to remove the filling plug also. Before re-starting,

the drain plug is required to be cleaned. Subsequent oil replacements should be made once in every 1000 hours or once a year..

IMPORTANT!!!

During oil replacement, do not touch the hot oil. Act in compliance with the country legislations in the disposal of the waste oil. Do not pollute the environment.

7.4 IDENTIFICATION of OIL LEAKS

Check for oil leaks periodically. Check for any oil leaks in the area where the vehicle is operated and the surroundings. In case of detecting any oil leaks,

Prevent oil leaking, add oil if necessary, contact with manufacturer firm KOZANOĞLU KOZMAKSAN

7.5 GENERAL EQUIPMENT CONTROL

Check for equipments and parts of product periodically. If needed, make bolts tighten

INSTALLATION

• There must be special suspension kit to install the PTO

• The gearbox's brackets should be screwed proper location on chassis.Before screw the proper location on chassis, approval should be received by manufacturer.**NEVER INSTALL IT WITH WELDING PROCESS**



Merkez : 1175. (7) Sokak No:9 (06370) Ostim-ANKARA Tel: (+90312) 354 05 39 - pbx Fax:(+90312) 354 34 59
Fabrika : ASO 1.Org.San.Bölgesi Erkunt Cad. No: 6 Sincan - ANKARA Tel: (+90312) 267 39 71 (pbx)

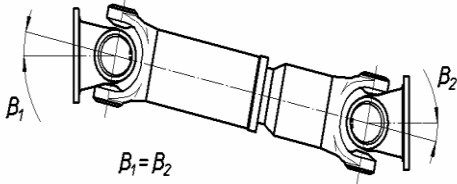
UARA.2002.2.H-M.1.6.I-ZF.1.II-ZF.1 OWNER'S INSTRUCTIONS



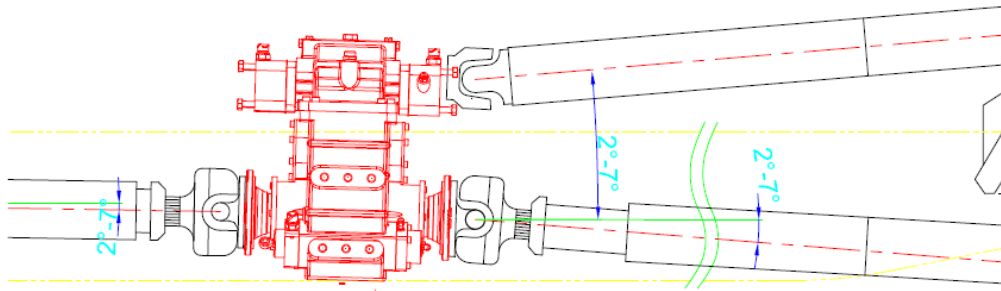
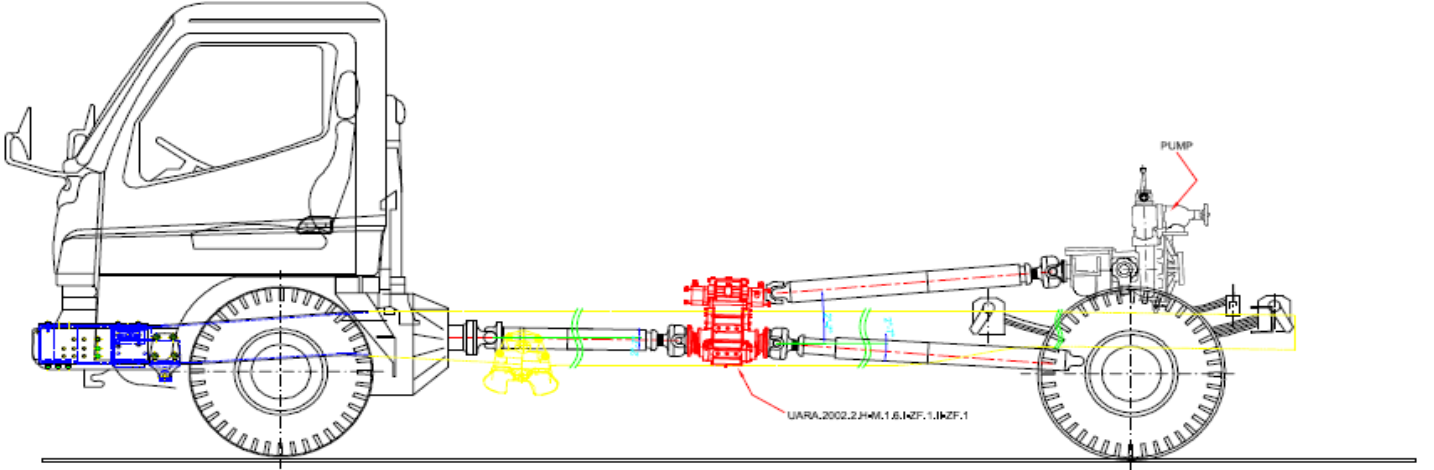
**KOZANOĞLU
KOZMAKSAN**
HYDRAULIC PUMPS & POWER TAKE-OFFS MANUFACTURING LIMITED CO.
HİDROLİK POMPA ve ARA ŞAĞIZMAN PTO İMALAT SAN. LTD. ŞTİ.

• Balanced shafts should be used

• U-joint flanges should be parallel. This analogy avoids vibration and noise. Also shaft of main transmission, the gearbox and other components should be install compatible to this parallelism. β_1 and β_2 angles should be identical. These angles are changeable due to chassis type and ratio between 3° - 7°



• Shaft of PTO and transmission should be install with u-joint bolts. U-joint screw dimensions, should match with equipments and should avoid any possible friction and collision. Yokes and reference points which placed on shaft should be controlled and should be checked for making sure.



UARA.2002.2.H-M.1.6.I-ZF.1.II-ZF.1



Merkez : 1175. (7) Sokak No:9 (06370) Ostim-ANKARA Tel: (+90312) 354 05 39 - pbx Fax: (+90312) 354 34 59
Fabrika : ASO 1.Org.San.Bölgesi Erkunt Cad. No: 6 Sincan - ANKARA Tel: (+90312) 267 39 71 (pbx)

WWWkozmaksan.com.tr * info@kozmaksan.com.tr

FRM.156 REV/00 YAY TAR/10.01.2017