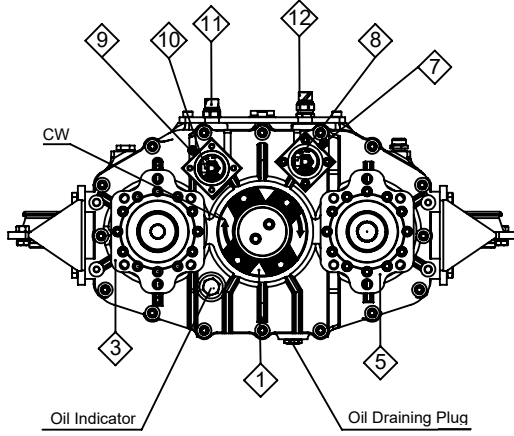


| | |
|---------------------|----------------------------------------------------------------|
| VEHICLE TYPE | SWEPPER, FIRE FIGHTING, ROAD MAINTENANCE AND CLEANING VEHICLES |
| GEARBOX TYPE | HYDROSTATIC HORIZONTAL SPLIT SHAFT PTO |

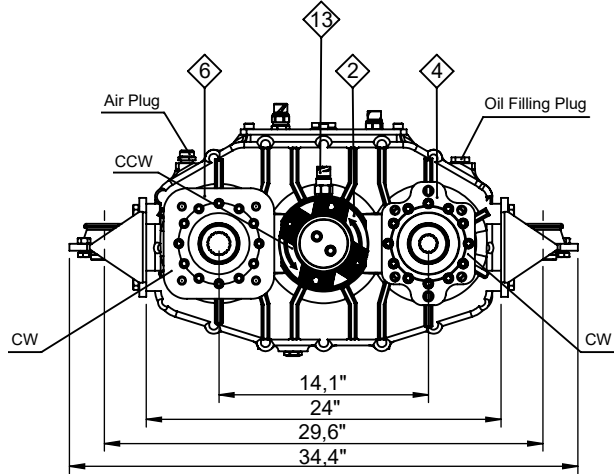
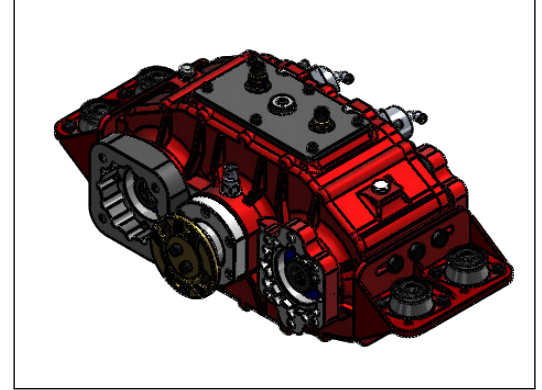
| | |
|---------------------|------------------|
| PRODUCT CODE | UARA.2501 |
| Revision No-Date | 02-02.03.2018 |



PRODUCT VIEWS

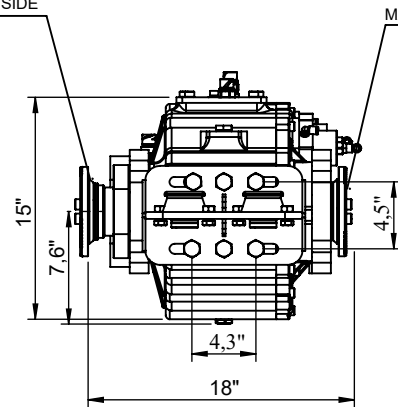


MAIN TRANSMISSION SIDE



DIFFERENTIAL SIDE

DIFFERENTIAL SIDE



MAIN TRANSMISSION SIDE

PTO OUTPUTS

- 1 : ISO 8667 - T150 Standard Flange
- 2 : ISO 8667 - T150 Standard Flange
- 3 : SAE - ISO Pump Pad
- 4 : SAE - ISO Pump Pad
- 5 : SAE - ISO Hydromotor Pad
- 6 : SAE - ISO Hydromotor Pad
- 7 : Air Inlet (Hydrostatic Drive Engage)
- 8 : Air Inlet (Hydrostatic Drive Disengage)

- 9 : Air Inlet (Main Drive Disengage, Pump Engage)
- 10 : Air Inlet (Main Drive Engage, Pump Disengage)
- 11 : Engage/Disengage Sensor (Opt.)
- 12 : Engage/Disengage Sensor (Opt.)
- 13 : RPM Counter (Opt.)

TECHNICAL DATA

| Outputs | Max. Torque | Max. Power | Internal Ratio | Mounting Type | Control Type |
|---------|--------------|------------|-----------------|---------------|---------------|
| 1 & 2 | 15189 LBS-FT | - | 1/1 | Split Shaft | Pneumatic |
| 3 & 4 | - | 268 HP | 1/1.3 1/1.75 | | Weight |
| 5 & 6 | 2893 LBS-FT | - | 4.5/1 | 440 LBS | - |



Ofis
 Tel. +90 312 354 05 39
 Fax +90 312 354 34 59
 7. Sokak No: 9
 Ostim / ANKARA
 e-mail: info@kozmaksan.com.tr

Fabrika / Factory
 Tel. +90 312 267 39 71
 Fax +90 312 267 38 72
 AOS. 1. OSB. Erkunt Cad. No: 6
 Sincan / ANKARA
 Website: www.kozmaksan.net