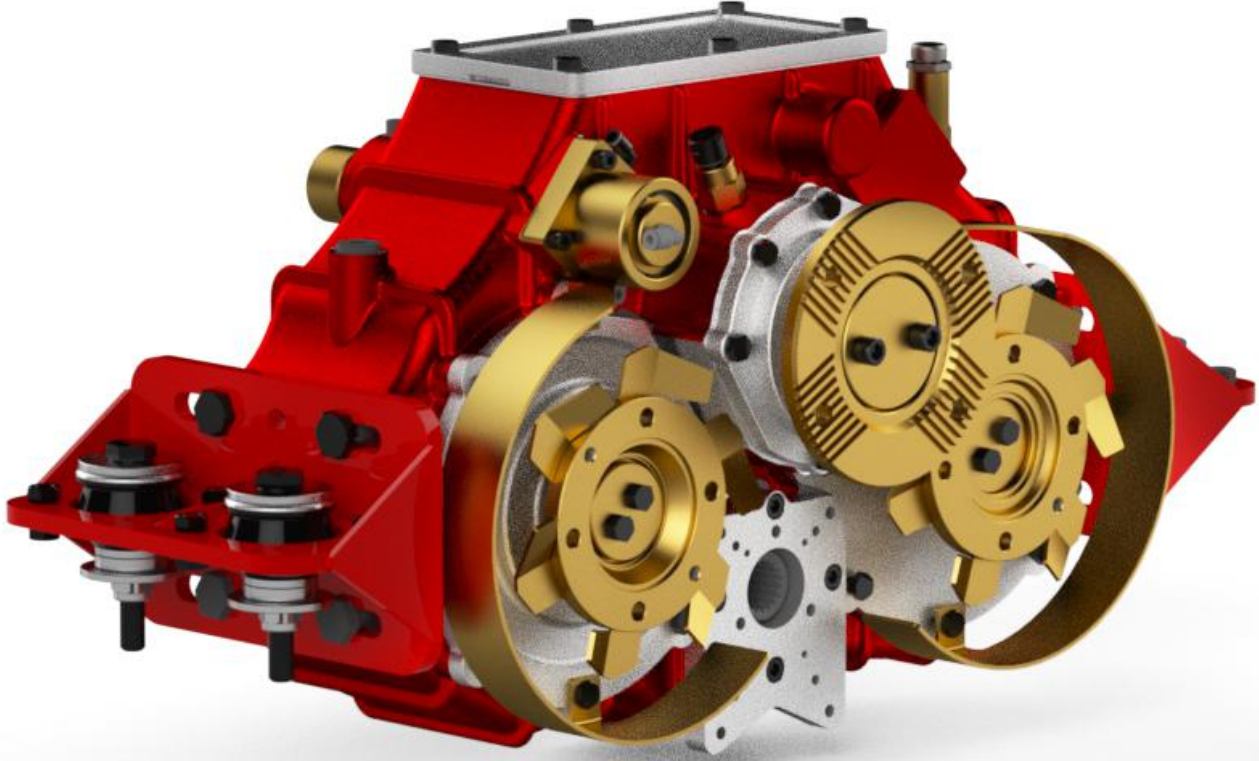


## USAGE FOR CLEANING COMBINATION VEHICLES

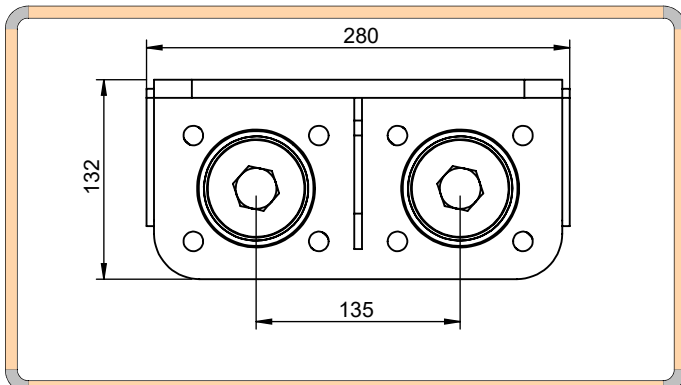
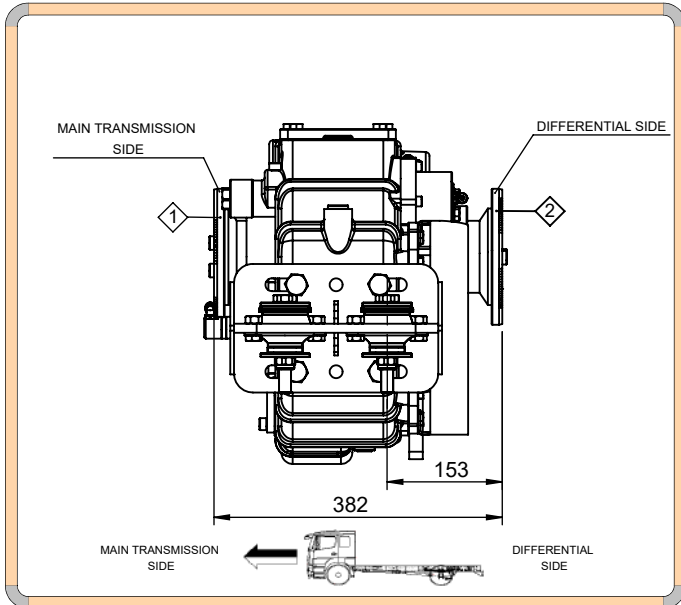
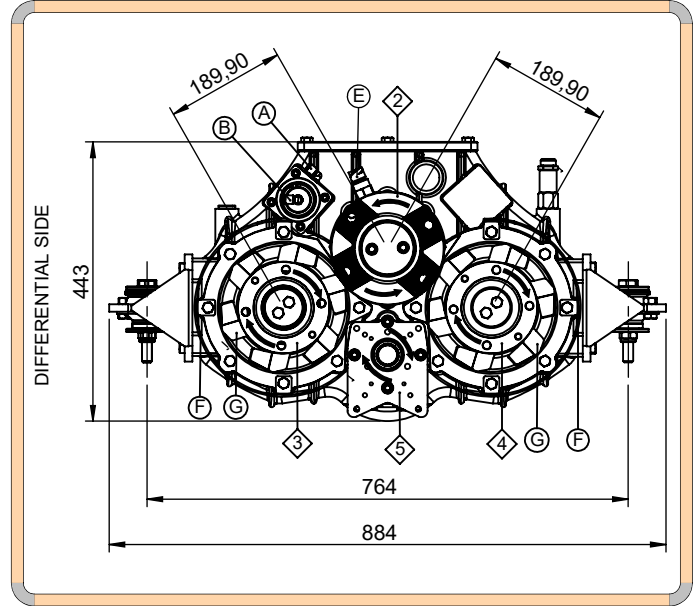
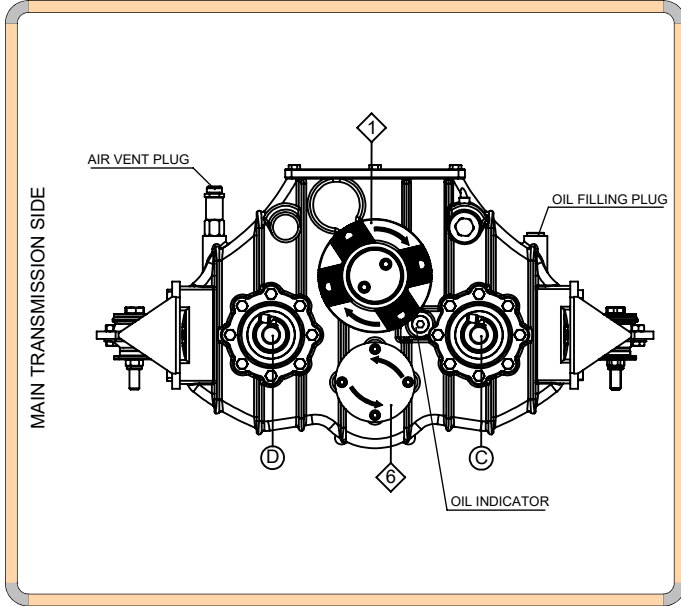
### GENERAL DEFINITIONS



- 3000 KGM Horizontal Heavy Duty Split Shaft PTO which is Designed with Clutch Mechanism and it Provides Hot Shift Feature.
- PTO Output is Capable To Transmit Up To 110 kW Max. At 3300 RPM
- UARA.2400 Can Provide 100% Of Input Speed.
- PTO Outputs Can Be At Differential Side Or Cabin Side.
- Third and Fourth PTO Output is An Option.
- Side PTO Outputs Can Be Shifted Independently.
- PTO Outputs Can Be Design With All ISO Standard Flanges As Well As Suitable Housing For Any Kind Of Hydraulic Pump.
- Cooling System Can Be Mount On The Gearbox.
- Engage/Disengage Sensor & RPM Counter is An Option.
- Even Though It is Generally Used For Sewage Cleaning Trucks, It Can Be Used Any Application Which Needs Hot Shift Feature.

## USAGE FOR CLEANING COMBINATION VEHICLES

### PTO OUTPUT DEFINITIONS



①	Main Input
②	Main Output
③	1st. PTO Output
④	2nd. PTO Output
⑤	1st. Hydraulic Pump Output
⑥	2nd. Hydraulic Pump Output
(A)	Air Inlet: Main Drive is Engaged
(B)	Air Inlet: PTO Outputs are Engaged
(C)	Air Inlet: 1st. PTO Output is Engaged
(D)	Air Inlet: 2nd. PTO Output is Engaged
(E)	RPM Counter (Optional)
(F)	Cooling Impeller Protector
(G)	Cooling Impeller

- Kozmaksan has all rights to change information in this catalogue without announcing it. This document is representing general information. It is not a contract.
- All information belongs to only PTO/Split Shaft. Do not use PTO/Split Shaft, if it is not suitable for your engine and main transmission.
- Pumps, shafts and other parts should not be longer or heavier than approved distance and weight by the manufacturer of main transmission and engine.

Please Contact with KOZMAKSAN, If You Have Any Question or Concern

Address : 06370 TURKEY

Phone: +903122673971

E-Mail : [export@zmaksan.com.tr](mailto:export@zmaksan.com.tr)

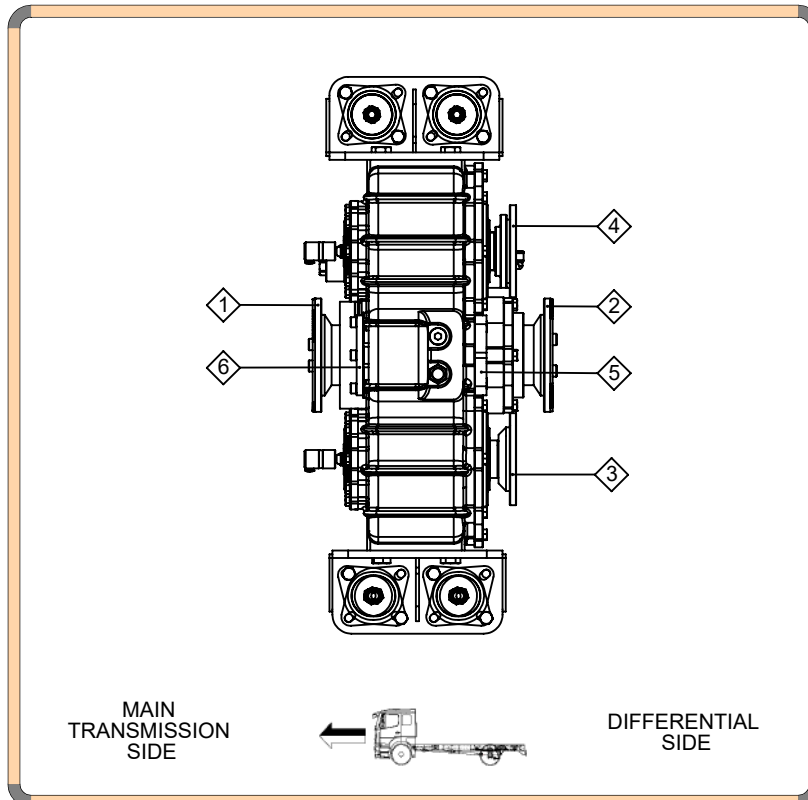
Website: [www.kozmaksan.net](http://www.kozmaksan.net)

## USAGE FOR CLEANING COMBINATION VEHICLES

### TECHNICAL INFORMATION

TECHNICAL VALUES					
	MAX. VALUES	INTERNAL RATIO			MAX. RPM
① & ②	3000 KGM	1/1			
3 ◇ 4	110 kW	1/1	1/1,25	1/1,7	2500-3300 RPM
5 ◇ 6	35 kW	1/1,28	1/1,66	2,47	2500-3000 RPM

WEIGHT	190 kg
BODY MATERIAL	GH190
OIL TYPE QUANTITY	ATF 320 9 LT



- Kozmaksan has all rights to change information in this catalogue without announcing it. This document is representing general information. It is not a contract.
- All information belongs to only PTO/Split Shaft. Do not use PTO/Split Shaft, if it is not suitable for your engine and main transmission.
- Pumps, shafts and other parts should not be longer or heavier than approved distance and weight by the manufacturer of main transmission and engine.

Please Contact with KOZMAKSAN, If You Have Any Question or Concern

Address : 06370 TURKEY

Phone: +903122673971

E-Mail : [export@zmaxsan.com.tr](mailto:export@zmaxsan.com.tr)

Website: [www.kozmaksan.net](http://www.kozmaksan.net)

## USAGE FOR CLEANING COMBINATION VEHICLES

### OPTIONS

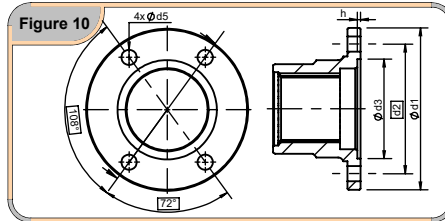
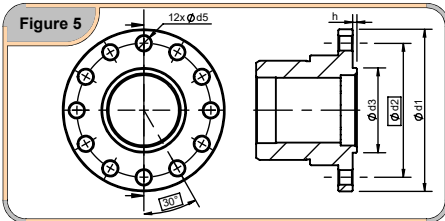
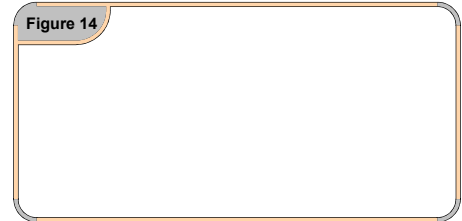
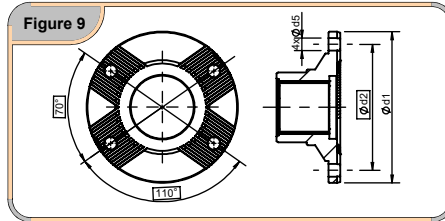
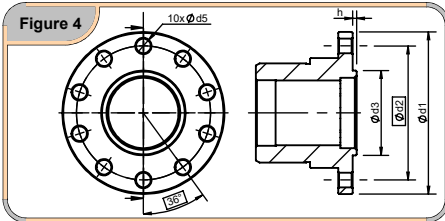
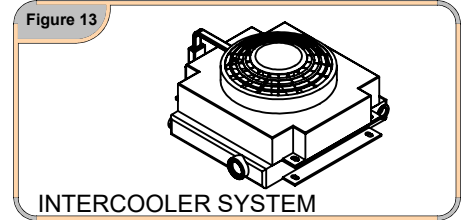
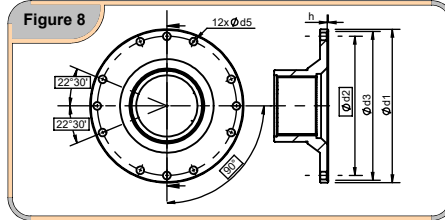
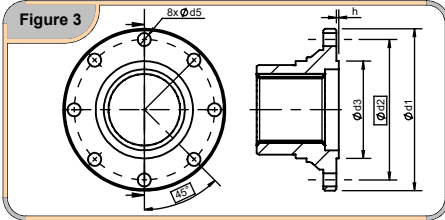
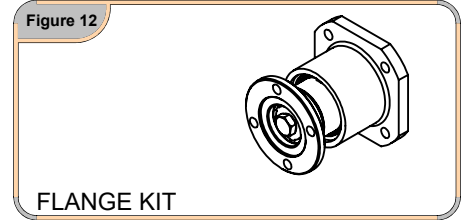
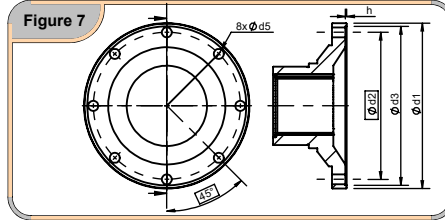
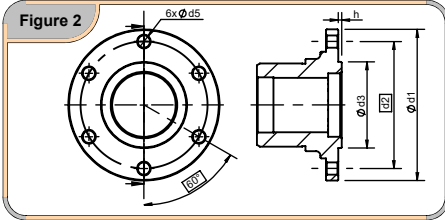
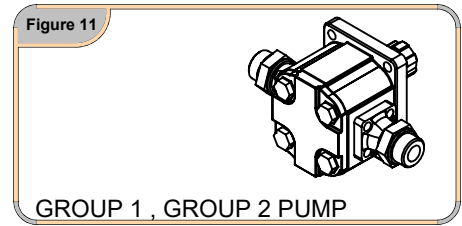
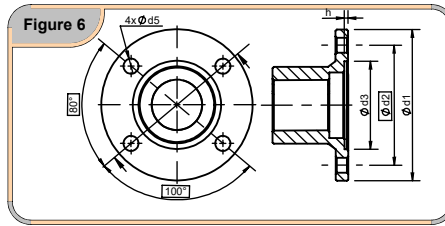
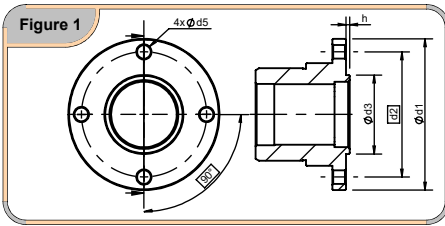
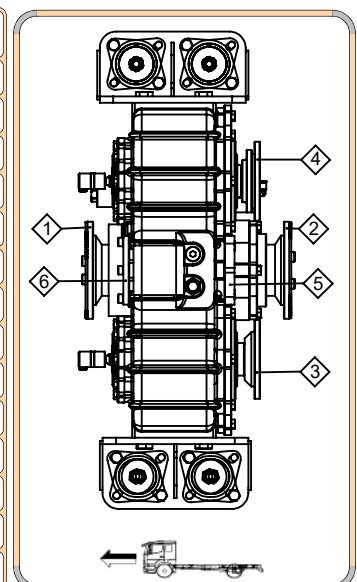


Figure No	No of Bolt	Ø d1	Ø d2	Ø d3	Ø d5	h	Standard	1	2	3	4	5	6
2	6	100	84	57	8,1	2,3	ISO 7646 - DIN 100			C06-141	C06-141		
3	8	120	101,5	75	10,1	2,3	ISO 7646 - DIN 120			C06-095	C06-095		
3	8	150	130	90	12,1	2,3	ISO 7646 - DIN 150			C06-097	C06-097		
-	-	-	-	-	-	-							
6	4	97	79,37	60,32	10,1	2,3							
6	4	116	95,25	69,85	12,1	2,3	ISO 7647-SAE1400			C06-151	C06-151		
6	4	146	120,65	95,25	12,1	2,3	ISO 7647-SAE1510			C06-037	C06-037		
7	8	175	155,57	168,22	10,1	1,5	ISO 7647-SAE1600	C06-086	C06-086				
8	12	203	184,15	196,86	10,1	1,5	ISO 7647-SAE1800	C06-158	C06-158				
-	-	-	-	-	-	-							
-	-	-	-	-	-	-							
9	4	120	-	12	11	-							
9	4	150	-	13	13	-	ISO 8667 - T 150	C06-038	C06-038				
9	4-	180	-	15	15	-	ISO 8667 - T 180	C06-036	C06-036				



Please Contact with KOZMAKSAN, If You Have Any Question or Concern

Address : 06370 TURKEY

Phone: +903122673971

E-Mail : export@zmaksan.com.tr

Website: www.kozmaksan.net